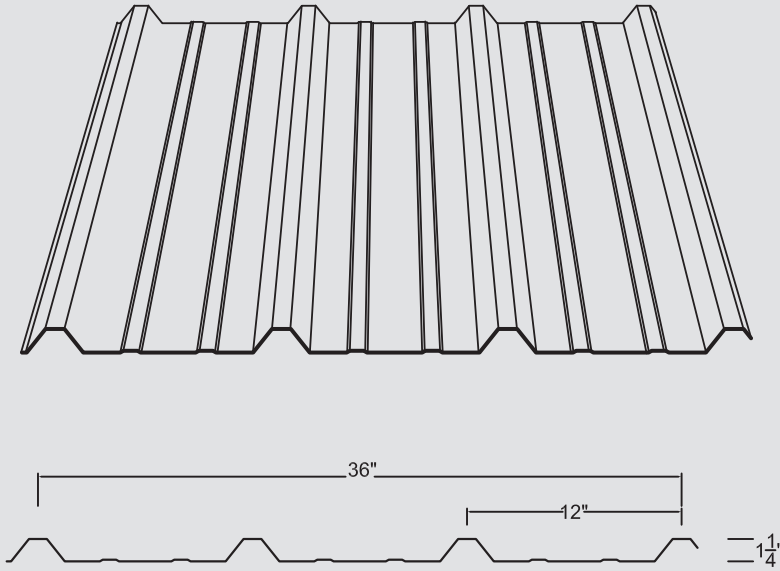


**CUSTOM-BILT  
METALS**

Brand Products

# PBR PANEL



## FEATURES & BENEFITS

- 36" coverage for faster installations
- Available in 26ga and 24ga
- Purlin-bearing leg provides quality of side lap
- Installs over open framing or solid substrates
- Trim packages or matching flat stock available
- Matching Polycarbonate Skylights available

PBR					
	Wt.	S+	I+	S-	I-
Gauge	(lbs/ft <sup>2</sup> )	(in <sup>3</sup> /ft)	(in <sup>4</sup> /ft)	(in <sup>3</sup> /ft)	(in <sup>4</sup> /ft)
26 - 80 KSI	0.65	0.0257	.0302	.0331	.0264
26 - 50 KSI	0.88	0.0435	.0457	.0463	.0375
24 - 50 KSI	1.1	0.0598	.0598	.0581	.048

Allowable Distributed Load (psf)					
		Span (ft-in.)			
Gauge	Span	Basis	3-0	4-0	5-0
26 80 KSI	SS	f	109	61	39
		L/180	109	61	31
	DS	f	121	69	44
		L/180	121	69	44
	TS	f	152	86	55
		L/180	152	86	49
26 50 KSI	SS	f	96	54	35
		L/180	96	54	32
	DS	f	102	58	37
		L/180	102	58	37
	TS	f	72	46	32
		L/180	72	46	29
24 50 KSI	SS	f	132	75	48
		L/180	132	75	42
	DS	f	129	73	46
		L/180	129	73	46
	TS	f	161	91	58
		L/180	161	91	58

Available in Galvanized and Galvalume/Zincalume, or coated with Silicon Modified Polyester (SMP) or Kynar Colors. Please contact your local branch for a listing of available colors.

### CUSTOM-BILT METALS LOCATIONS

Kent, WA  
(253) 872-7330

Portland, OR  
(503) 256-3328

Honolulu, HI  
(808) 845-1806

Chino, CA  
(909) 664-1587

Phoenix, AZ  
(602) 484-7015

New Orleans, LA  
(504) 838-9344

Sacramento, CA  
(916) 333-5680

Spokane, WA  
(509) 533-1703

San Jose, CA  
(408) 433-0823



For complete guide specifications, installation details and warranty information, visit our website: [www.CustomBiltMetals.com](http://www.CustomBiltMetals.com)

**CUSTOM-BILT  
METALS**

Brand Products  
Since 1974

Our Partners in Energy Efficiency

