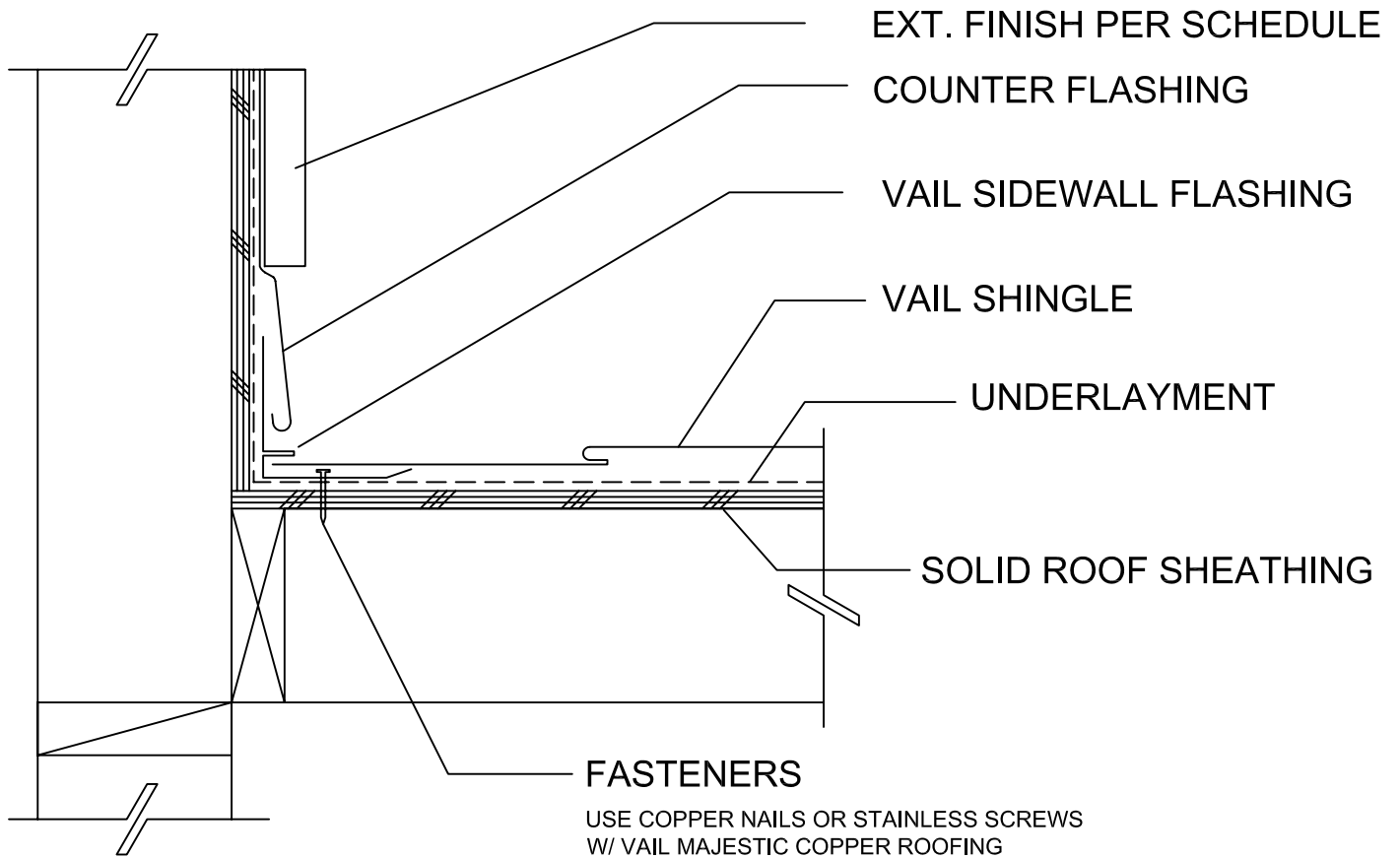
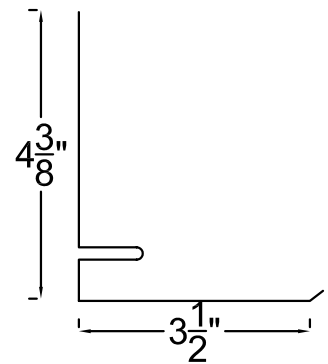


VAIL Metal Shingle



NOTES:

1. USE SOLID SHEATHING ONLY.
2. FASTENERS TO PENETRATE 3/8" THROUGH OR 3/4" INTO SHEATHING
3. COORDINATE W/ SPEC. FOR UNDERLAYMENT, NAILING & FLASHING REQUIREMENTS



SIDEWALL TRIM

DRAWING: V6 SIDEWALL DETAIL

VAIL Majestic Copper / VAIL Titan Select

All Flashing and Trim available	Note:
SUBJECT TO CHANGE WITHOUT NOTICE	Effective Dec. 2005